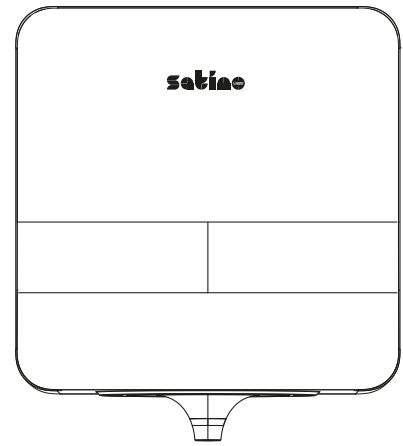


Assembly Instructions

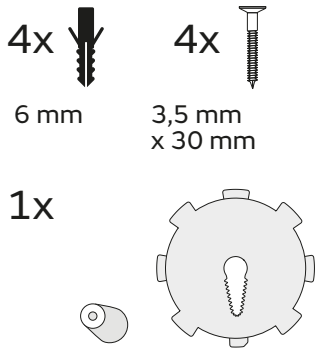
HYGINITY Centrefeed Dispenser Plus

Item No.: 333416 / 333417

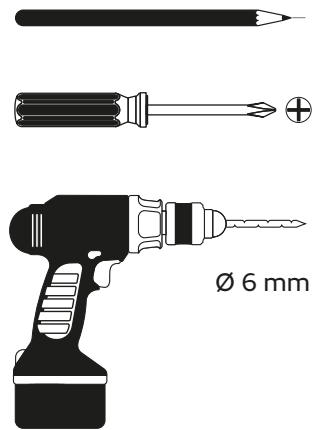
HYGINITY Innenabwicklung Spender Plus
HYGINITY Poetsroldispenser midicenterfeed Plus
HYGINITY Distributeur bobine à dévidage central Plus
HYGINITY Dozownik do ręczników Centerfeed Plus (centralnego dozowania)



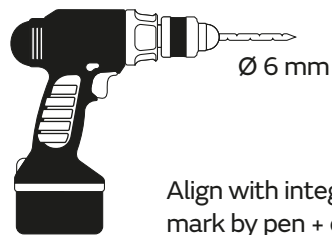
Supplied



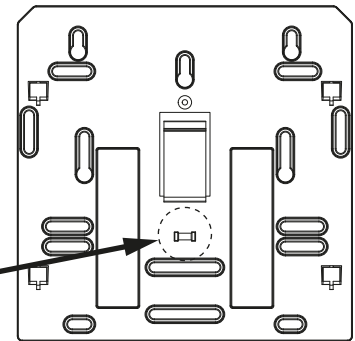
Needed tools



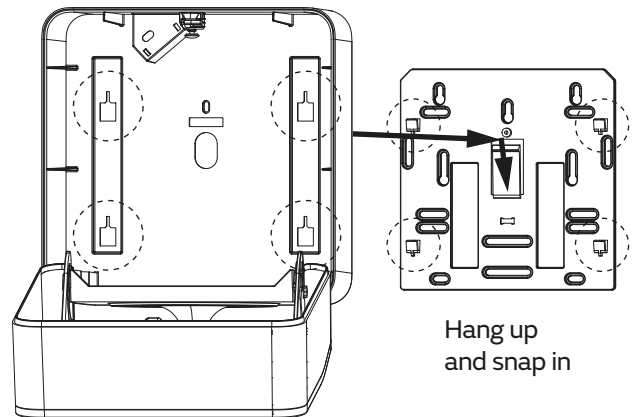
Mounting Plate



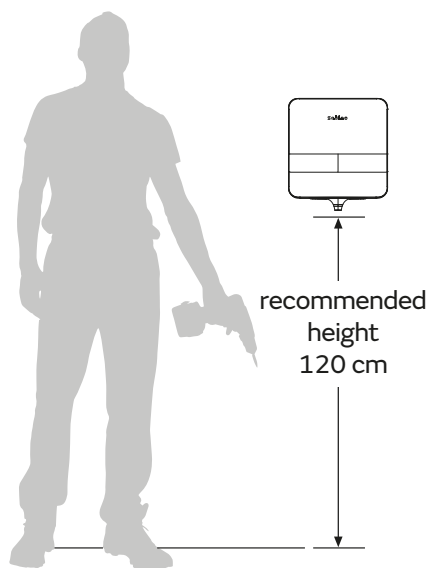
Align with integrated spirit level,
mark by pen + drill holes



Attaching Dispenser to
Mounting Plate

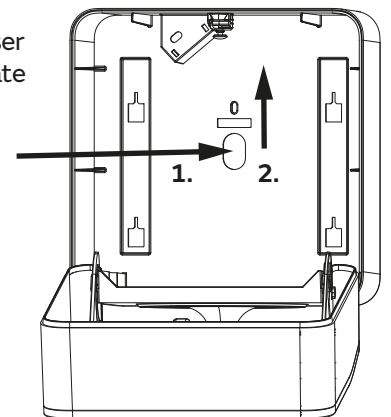


Preferred distance



Removing Dispenser
from Mounting Plate

1. Push
2. Lift



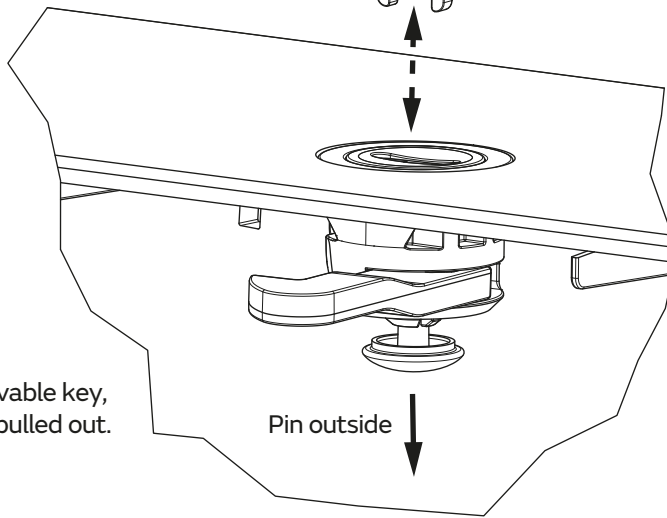
Suitable for
CF1

HYGINITY
Centrefeed Dispenser Plus
 Item No.: 333416 / 333417

If you want to use the permanent key, press the pin in after you have inserted the key.

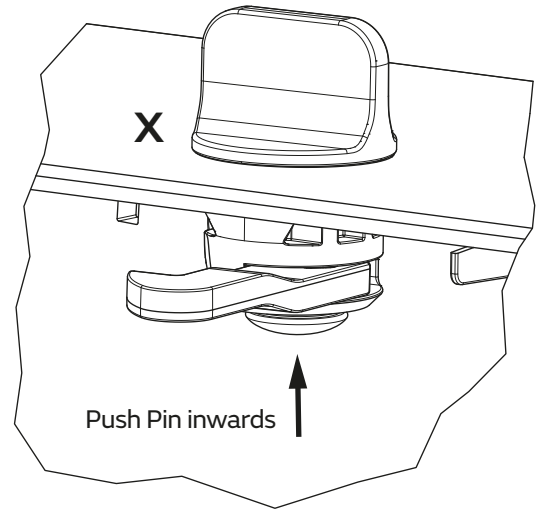
Key options

Removable key



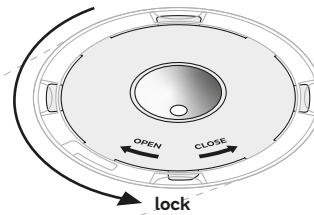
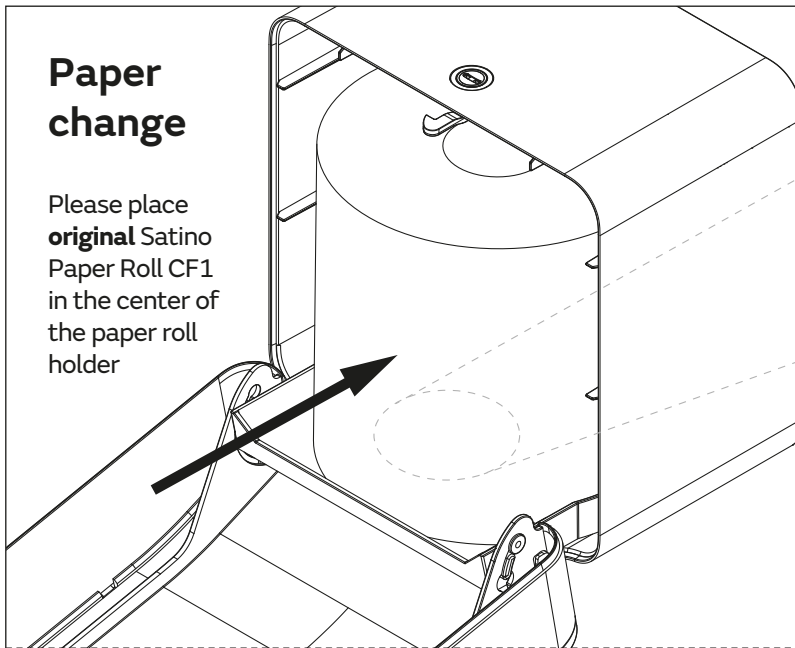
To use the removable key, the pin must be pulled out.

Permanent Key



Paper change

Please place **original** Satino Paper Roll CF1 in the center of the paper roll holder



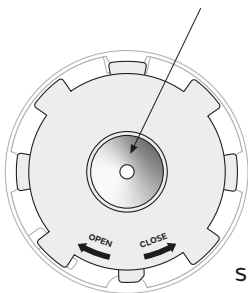
Lock the plates
 adjust the preferred plate by rotating the plate counter-clockwise until it is snapped to position

Plate for single paper sheets

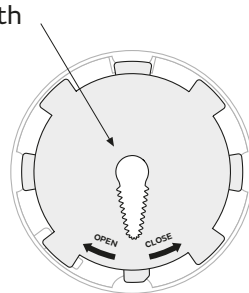
funnel for single sheet expense

Plate for centrefeed rolls

nozzel points for individual sheet length



Factory-wise, this dispenser is equipped with a sleeve for 2ply hand towel paper. When switching to 1ply paper please ensure that the sleeve "1ply" is screwed on.



Upgrade

Mounting hole group for optional sensor unit

